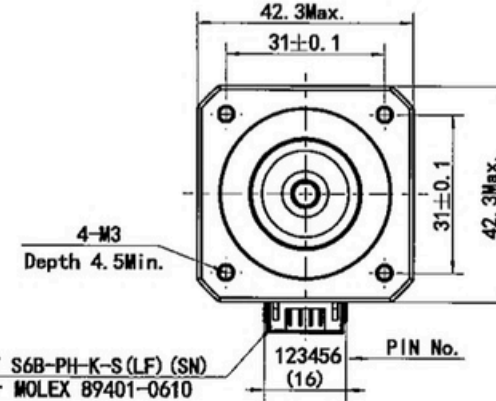
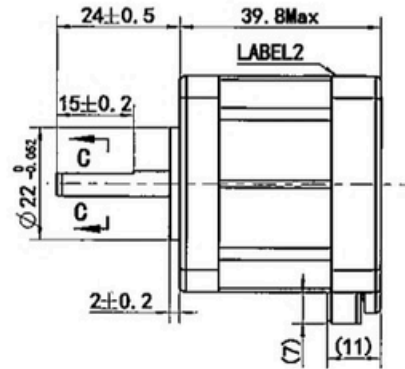
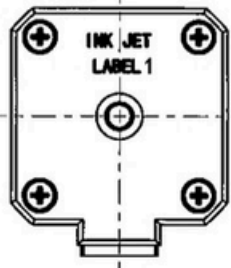
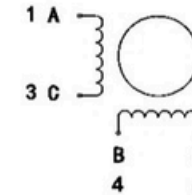


MS17HA2P4040



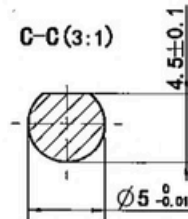
Wiring Diagram



Exciting Sequence vs. Direction of Rotation

STEP	A	B	C	D	Direction
1	+	+	-	-	CCW
2	-	+	+	-	
3	-	-	+	+	
4	+	-	-	+	CW

Specification	
1. Number of Phase	2
2. Step Angle	0.9°
3. Rated Voltage	10 V DC
4. Rated Current	0.4 Amp
5. Holding Torque	0.41 Nm Typ. (Two phase on/rated current)
6. Phase Resistance	25 ohm ±10% (20°C)
7. Phase Inductance	70 mH ±20% (1kHz 1V rms)
8. Rotor Inertia	57 gcm ²
9. Motor Weight	0.28 kg
10. Insulation Class	B (130°C)



Clockwise view from mounting side

Label2 Detail

STEPPING MOTOR
 Insulation: Class B, 60VDC Max.
 0.4Amps Holding: 0.41Nm
 3000RPM Max. **CAUS**
 UL FILE No. E465363 XXX Factory ID

Label1 Detail

TYPE MS17HA2P4040
 XXXXXXXX YY/MM/DD
 Work Order Date Format

Unit:mm
 First angle method

Tolerances for linear and angular dimensions without individual tolerance indications
 GB/T 1804-m eqv ISO 2768-1:m

Geometrical tolerance for features without individual tolerance indications
 GB/T 1184-K eqv ISO 2768-2:K

Approve	
Standardize	
Process Review	
Check	
Design	

PIVEXIN TECHNOLOGY

A1	ECR:23-317, There are two positions	2023.03.28
A0	Original revision	2017.03.27

REV.	REVISION RECORD	DATE	UNLESS OTHERWISE SPECIFIED	NAMES	SIGNATURE	DATE	Drawing No: 4611110015916	Rev. A1	SCALE: 1:1	Sheet 1 of 1
------	-----------------	------	----------------------------	-------	-----------	------	---------------------------	---------	------------	--------------